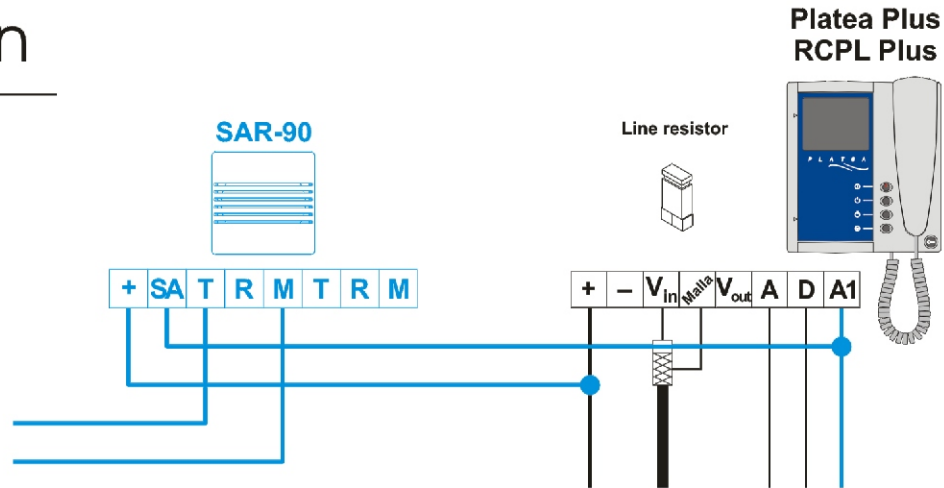


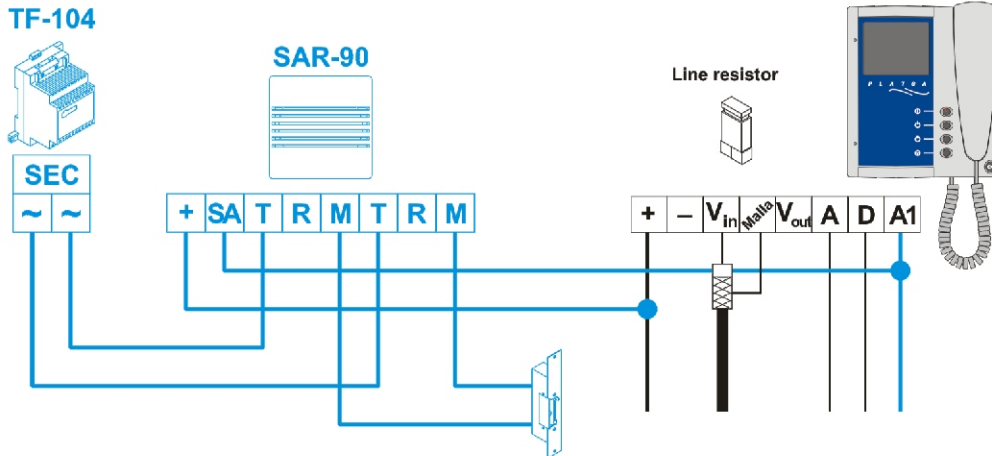
# SAR-90

## Auxiliary light activation

To light push button  
Temporized



## Second lock release activation



Second lock release activation needs TF-104 additional

Second lock release will work at 12V ac