



T555EN

rev.0204

Audio  
door entry system  
4 + 'n' installation

Stadio Plus

Instructions manual

# INTRODUCTION

1

First of all we would like to thank and congratulate you for the purchase of this product manufactured by Golmar.

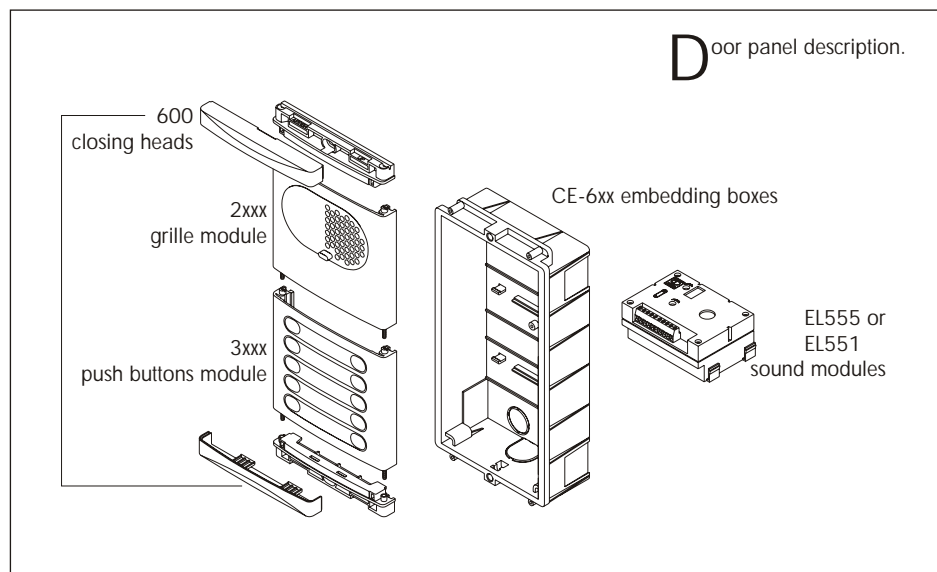
The commitment to reach the satisfaction of our customers is stated through the ISO-9001 certification and for the manufacturing of products like this one.

Its advanced technology and exacting quality control will do that customers and users enjoy with the legion of features this system offers. To obtain the maximum profit of these features and a properly wired installation, we kindly recommend you to expend a few minutes of your time to read this manual.

# SYSTEM CHARACTERISTICS

- ⇨ Audio system with 4 + N wires installation.
- ⇨ Just 1 TF-104 transformer (12Va.c., 1.5A) will be required for each door panel.
- ⇨ Selectable (electronic or buzzer) call type on EL555 sound module, with acoustic acknowledgement signal.
- ⇨ a.c. lock releases activation.
- ⇨ Up to three telephones in the same apartment.
- ⇨ In systems with EL551 sound module for buildings with several access doors:
  - ⌚ Two selectable electronic call types at the door panel.
  - ⌚ Luminous and acoustic busy channel acknowledgement signals.
  - ⌚ Timed door open activation.

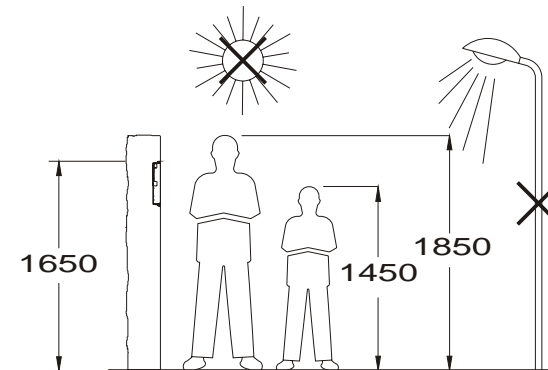
# DOOR PANEL DESCRIPTION



2

# DOOR PANEL INSTALLATION

## **E** mbedding box positioning.

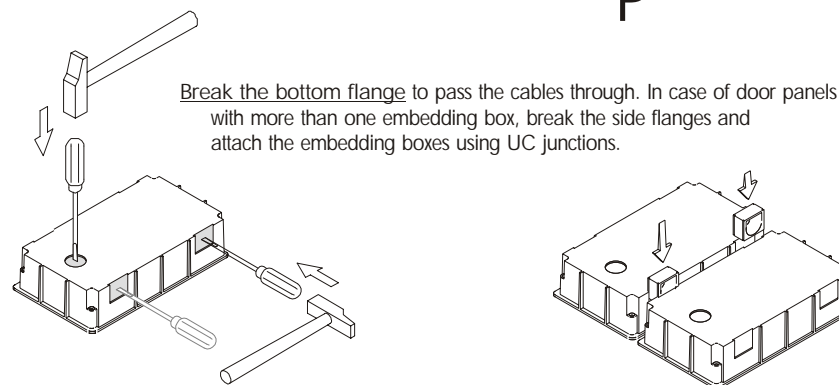


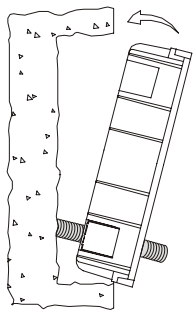
The upper part of the door panel should be placed at 1,65m. height roughly. The hole dimensions will depend on the number of door panel modules.

Modules Model	1	2	3
W	125	125	125 mm.
H	140	257	374 mm.
D	56	56	56 mm.

The door panel has been designed to be placed under most of the environmental conditions. However it's recommended to take additional cautions like rainproof covers.

## **P**reparing the cables entry.

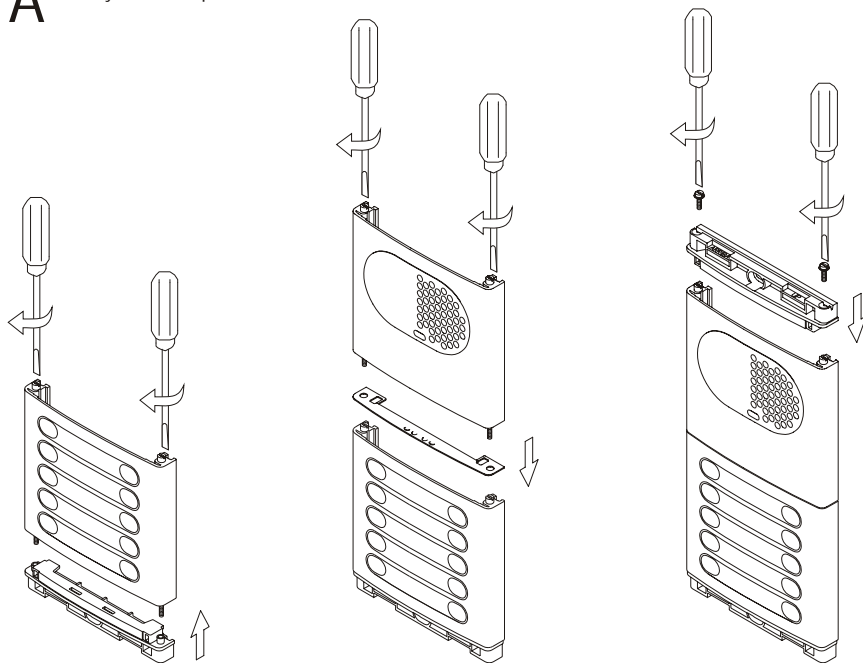




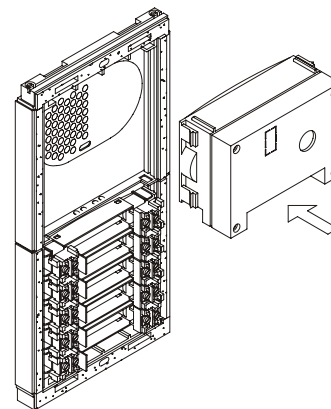
**P**lace the embedding box.

Pass the wiring through the hole made in the bottom part of the embedding box. Level and flush the embedding box. Once the embedding box is placed, remove the protective labels from the attaching door panel holes.

**A**ssemble the door panel modules.



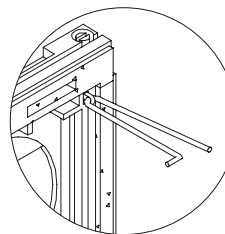
Insert the header DOWN marked in the lower module and fix it by screwing the module shafts.  
 Place the module spacer between lower and next modules, assuring that the spacer adjustment notches are inside the panel. Fix the module by screwing the shafts.  
 Repeat this procedure in case of door panels with one more module (the maximum number of modules placed vertically is three).  
 Insert the header UP marked in the last module and fix it by screwing the supplied screws.



**A**ssemble the sound module.

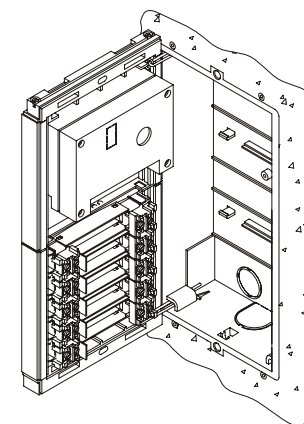
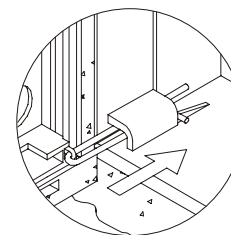
Insert the sound module in the grille module. For a proper assembly, align the light push button and the microphone rubber of the sound module with its corresponding holes in the grille module.

**H**old the door panel on the embedding box.

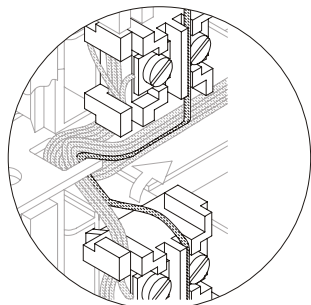


Select a direction to open the door panel; this selection should ease the door panel wiring. The opening direction will be settled through the hinges position, that must be passed through the header clips as shown. For example, if the hinges are placed on both clips of the lower header, the door panel will open downwards; if they are placed on the right clips of both headers, the door panel will open to left.

To hold the door panel on the embedding box, insert the hinges in the embedding box lockers as shown.

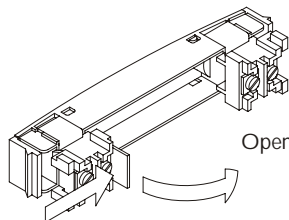


## Push buttons wiring.

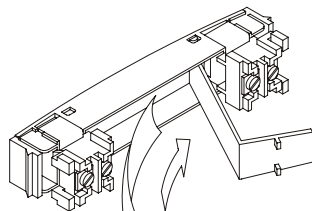


**IMPORTANT:** link the push buttons common terminal of all the modules. The common terminal of the push buttons contained in a module are linked from factory. Connect this terminal to CP terminal of the sound module.

## Place the nameplate labels.



Open the label holder.

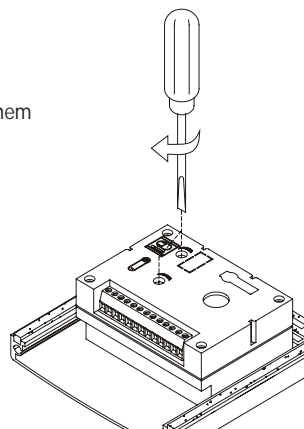


Place the label and close.

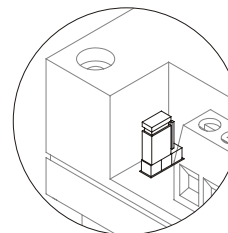
## Final adjustments.

Once the nameplate labels are placed, wire the lamps from different modules and connect them to terminals L1 and L2 of the sound module, as it's shown on the installation diagrams.

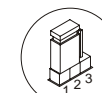
If after starting the system it's considered that the audio volume isn't correct, proceed with the necessary adjustments as shown.



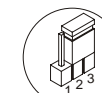
## Call type selection.



EL555 sound modules for systems with one access door have a jumper placed on the left side of the terminal connector. This jumper allows to select between two different call types: electronic call (factory default) or buzzer call.

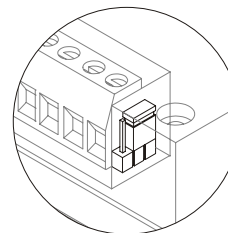


Electronic call.



Buzzer call.

## Electronic call selection.

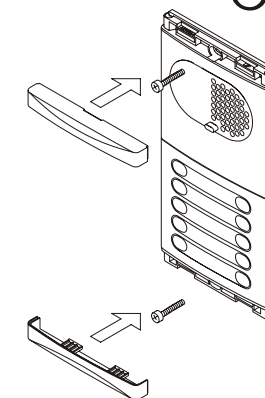


EL551 sound modules for systems with several access doors have a jumper placed on the right side of the terminal connector. This jumper allows to select between two different electronic call types, allowing the user to distinguish which door panel is calling.

## Close the door panel.

Fix the door panel by using the supplied screws.

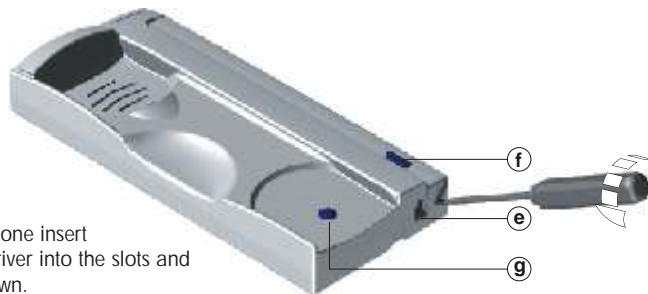
Finish the door panel assembly by pressing the closing heads.





**D**escription of the T-900 and T-910 telephones.

- a. Telephone handset.
- b. Speaker grille.
- c. Microphone hole.
- d. Subjection hole.
- e. Telephone cord connectors.
- f. Door release push button.
- g. Hook switch.



To open the telephone insert a plain screwdriver into the slots and rotate it as shown.

Avoid to place the telephone near to heating sources, in dusty locations or smoky environments. The telephone can be fixed using an electrical embedding box or directly on the wall, as shown on the picture. If the telephone will be installed directly over the wall, drill two holes of Ø6mm. on the specified positions, using 6mm. wallplugs and Ø3,5 x 25mm. screws.

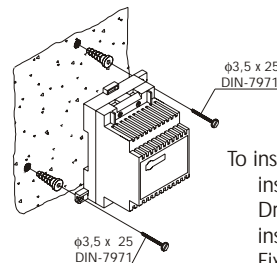


Pass the installation wires through the corresponding hole and connect them as shown on the installation diagrams.



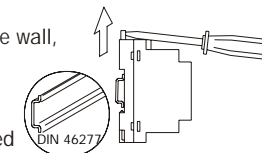
Close the telephone as shown on the picture. Once the telephone is closed, connect the handset using the telephone cord and put it on the cradle.

**I**nstalling the TF-104 transformer.



The transformer must be installed in a dry and protected place. It's recommended to protect the transformer by using a thermo-magnetic circuit breaker.

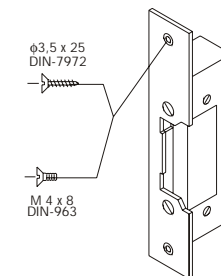
To install the transformer directly on the wall, insert the fixing flanges. Drill two holes of Ø6mm. and insert the wallplugs. Fix the transformer with the specified screws.



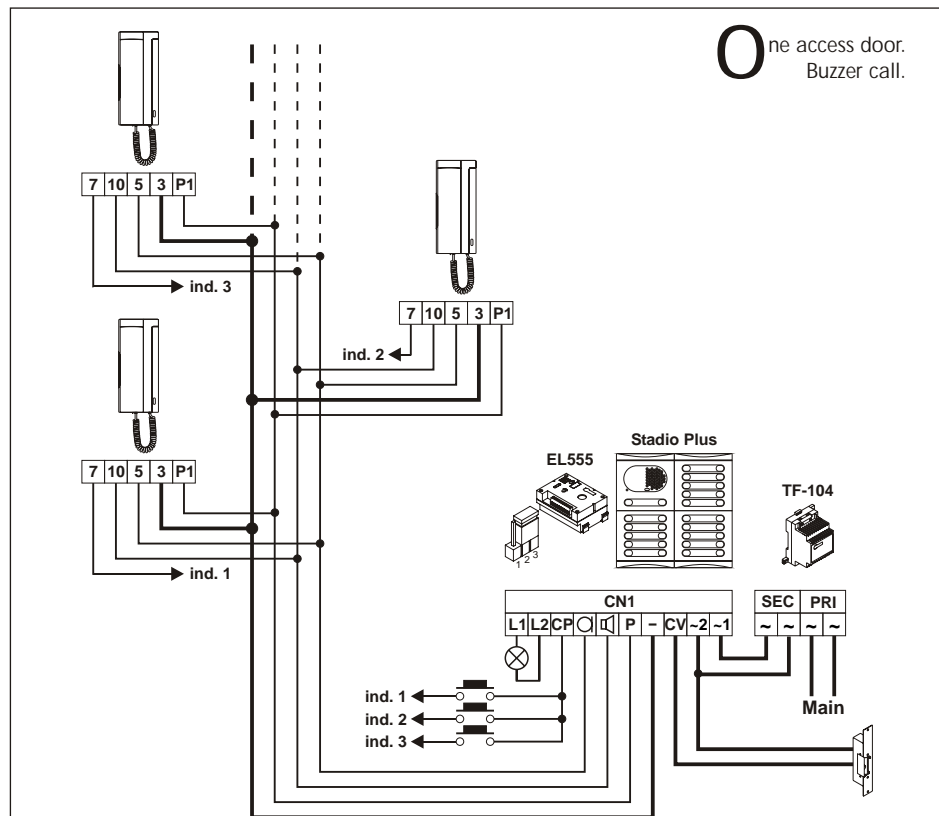
The transformer can be installed on a DIN guide (3 units) simply pressing it. To disassemble the transformer from the DIN guide, use a plain screwdriver to lever the flange as shown on the picture.

**L**ock release installation.

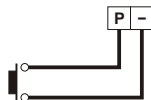
If the lock release will be installed in a metal door, use a Ø3,5mm. drill and tap the hole. In case of wood door, use a Ø3mm. drill.



- ☞ Do not use excessive force when tightening the transformer connector screws.
- ☞ Install the equipment without the power connected. Disconnect from power before any system modification. Check that the input voltage is lower than 230Va.c.
- ☞ Before to connect the system, check the connections between door panel and telephones, and the transformer connection. Do always follow the enclosed information.

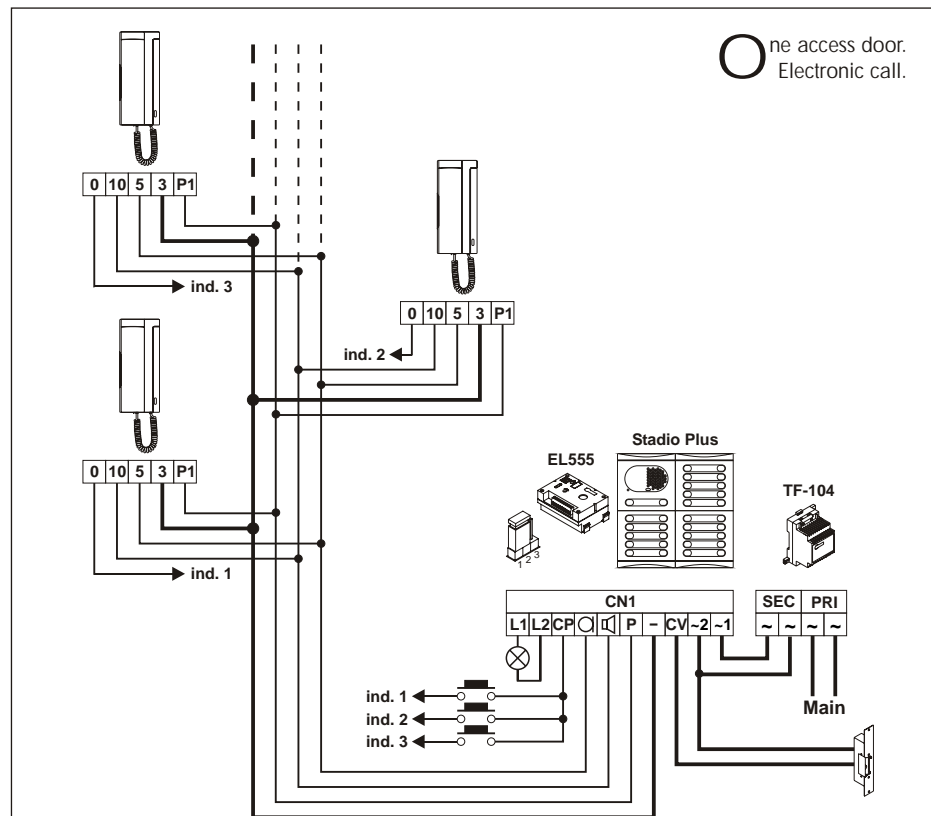


The lock release can be activated at any moment by using an external push button, that must be connected between '-' and 'P' terminals of the sound module. This function will allow to exit from the building being not necessary the use of a key.



Terminal	Sections chart	
	100m.	300m.
5, C, 10, 10, P, P1	0,25mm <sup>2</sup>	0,50mm <sup>2</sup>
-, 3, 7, ind	0,50mm <sup>2</sup>	1,00mm <sup>2</sup>
~1, ~2, CV	1,00mm <sup>2</sup>	2,50mm <sup>2</sup>

For longer distances than the specified contact with your distributor.



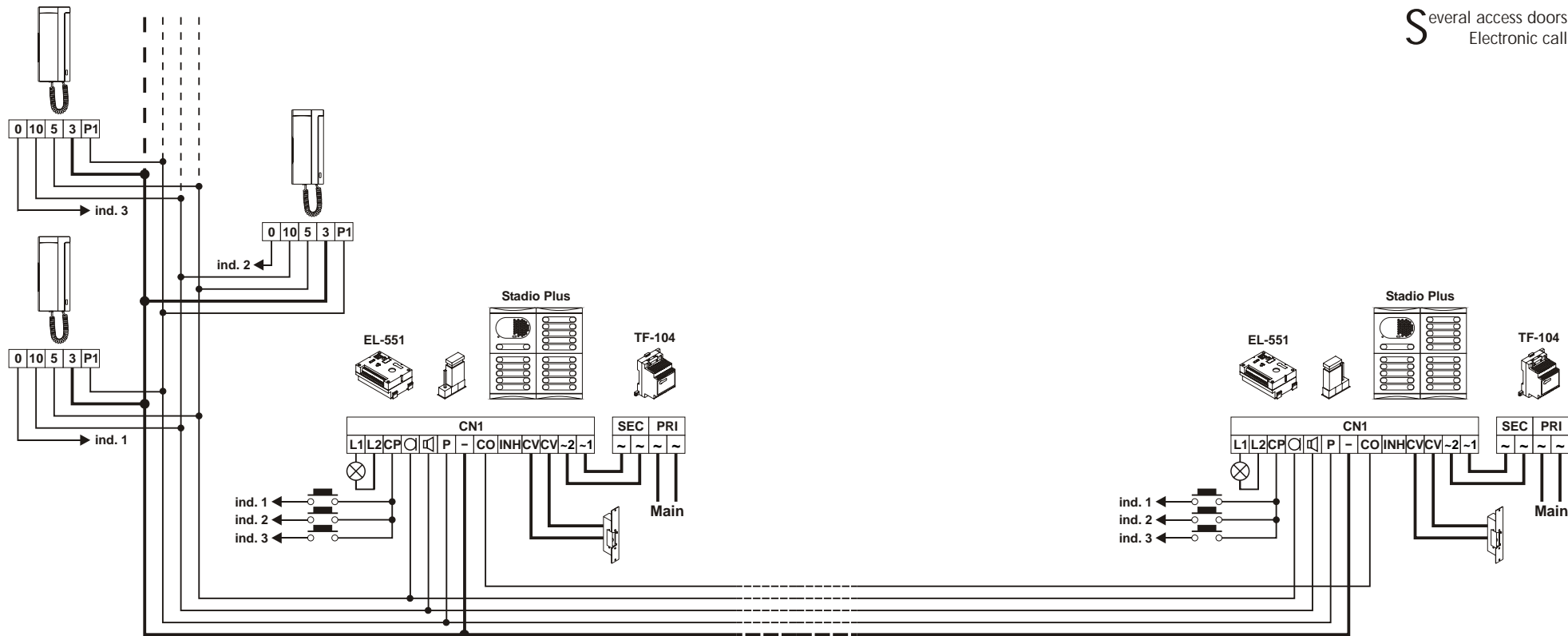
The lock release can be activated at any moment by using an external push button, that must be connected between '-' and 'P' terminals of the sound module. This function will allow to exit from the building being not necessary the use of a key.



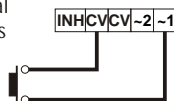
Terminal	Sections chart	
	100m.	300m.
0, ind, 5, C, 10, 10, P, P1	0,25mm <sup>2</sup>	0,50mm <sup>2</sup>
-, 3	0,50mm <sup>2</sup>	1,00mm <sup>2</sup>
~1, ~2, CV	1,00mm <sup>2</sup>	2,50mm <sup>2</sup>

For longer distances than the specified contact with your distributor.

Several access doors.  
Electronic call.

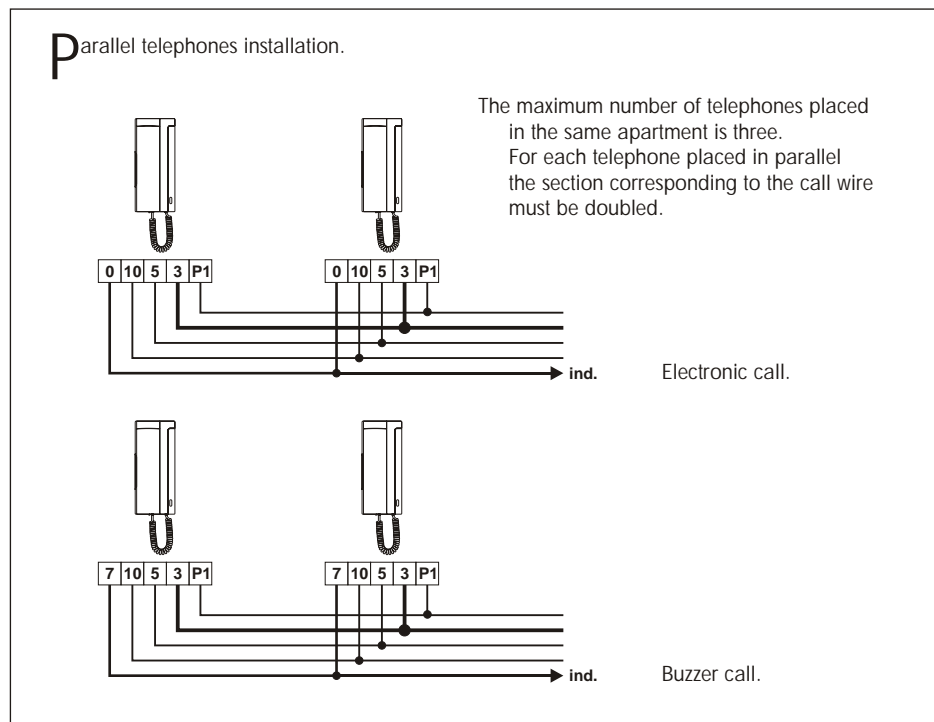


The lock release can be activated at any moment by using an external push button, that must be connected between '~1' y 'CV' terminals of the sound module. This function will allow to exit from the building being not necessary the use of a key.



Terminal	Sections chart	
	100m.	300m.
0, ind, 5, 10, P, P1, CO	0,25mm <sup>2</sup>	0,50mm <sup>2</sup>
-, 3	0,50mm <sup>2</sup>	1,00mm <sup>2</sup>
~1, ~2, CV	1,00mm <sup>2</sup>	2,50mm <sup>2</sup>

For longer distances than the specified contact with your distributor.



## SYSTEM OPERATION

- ⇨ To make a call the visitor should press the push button corresponding to the apartment he wishes to contact. An acoustic tone will be heard confirming the call as the push button is pressed. At this moment the call will be received at the telephone in the dwelling.
- ⇨ In systems with several access doors, the other(s) door panel(s) will be automatically disconnected, and the light push button will change to red color: if a visitor tries to call from other door panel an acoustic tone will be heard confirming the system is busy. If the call is not answered in 30 seconds, the system will be freed.
- ⇨ To establish communication pick up the telephone handset. In systems with several access doors, the communication will last for one and a half minutes or until the handset is replaced. Once the communication has finished the system will be freed.
- ⇨ To open the door, press the door release push button at any moment.
- ⇨ In systems with several access doors, the door open function can be operated during call and communication progresses: with one press, the door release operates during 3 seconds.

- ⇨ Nothing operates.
  - ☹ Check the output transformer voltage between SEC terminals: it should have 12 to 17Va.c. If not, disconnect the transformer from the installation and measure again. If it's correct now, it means there is a short circuit in the installation: disconnect the transformer from mains and check the installation.
- ⇨ Inappropriate audio level.
  - ☹ Adjust the level volumes as shown on page 5. In case of feedback, reduce the audio levels until feedback fade out.
- ⇨ Door open function no operates.
  - ☹ Remember that in systems with several access doors (EL551 sound modules), this function is only available during call and communication progresses.
  - ☹ Disconnect the lock release from the sound module and short-circuit terminals '-1' and 'P': at that moment the output voltage between terminals 'CV' and '-2' (in case of EL555 sound module) or between terminals 'CV' (in case of EL551 sound module) should be 12Va.c. If it's so check the lock release, its wiring and the wiring of the terminal 'P' from the sound module to the telephones. If these tests don't solve the problem, replace the sound module.
- ⇨ No telephones receive the call or acknowledgement call signal is not reproduced.
  - ☹ Check that the push buttons common terminal are correctly connected to the 'CP' terminal of the sound module.
  - ☹ On systems with EL555 sound modules, check that the call type selection jumper is placed in the correct position (page 6).
- ⇨ The door panels don't change to busy status.
  - ☹ From the moment a call is made in one of the door panels, the voltage between '-1' and 'CO' terminals should be lower than 3Vd.c. If not, check the continuity of the 'CO' wire.
- ⇨ Once a communication is finished the system remains on busy status.
  - ☹ If the busy status remains for a three minutes period, even if the handset of the called telephone is on the cradle, check that all the telephones are correctly replaced.
- ⇨ The acknowledgement busy signal is not reproduced.
  - ☹ When someone tries to make a call during busy status, the light push button should change its color and busy signal should be heard at the door panel. If the called telephone is not a T-900 model, and is not correctly replaced or it is in communication, the busy signal will not be reproduced.





[golmar@golmar.es](mailto:golmar@golmar.es)  
[www.golmar.es](http://www.golmar.es)



Golmar se reserva el derecho a cualquier modificación sin previo aviso.  
Golmar se réserve le droit de toute modification sans préavis.  
Golmar reserves the right to make any modifications without prior notice.