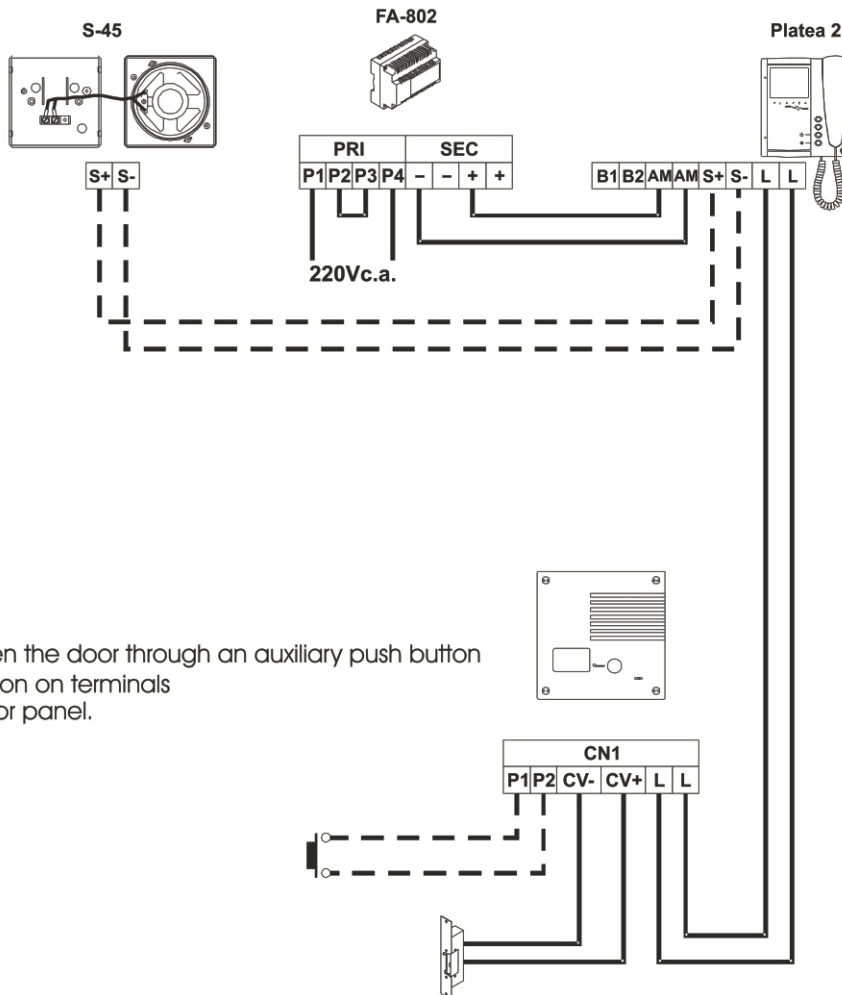
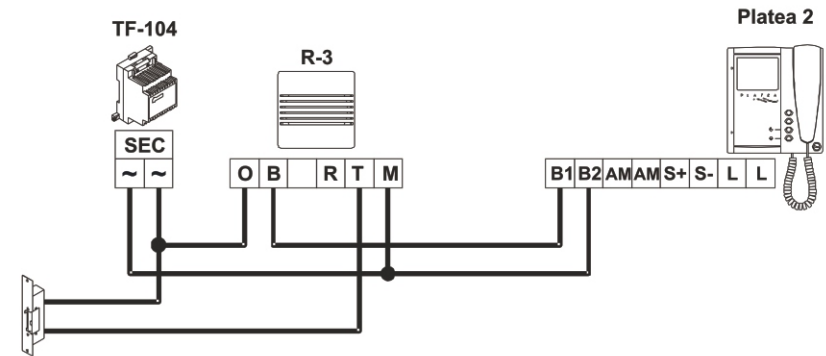
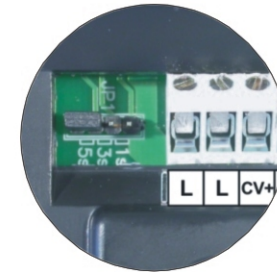


The maximum number of repeaters
In the same apartment is 2.



If you would like to open the door through an auxiliary push button
Connect the push button on terminals
'P1' and 'P2' on the door panel.

Jumper JP1, at left side of wall mounting connector,
Sets up the opening time for the lock release
To 1, 3 or 5 seconds.



Sections chart

Distances

Sections chart	Distances	
Terminals	50m.	100m.
-, +, AM, AM	1,00mm ²	
L, L	0,50mm ²	1,00mm ²