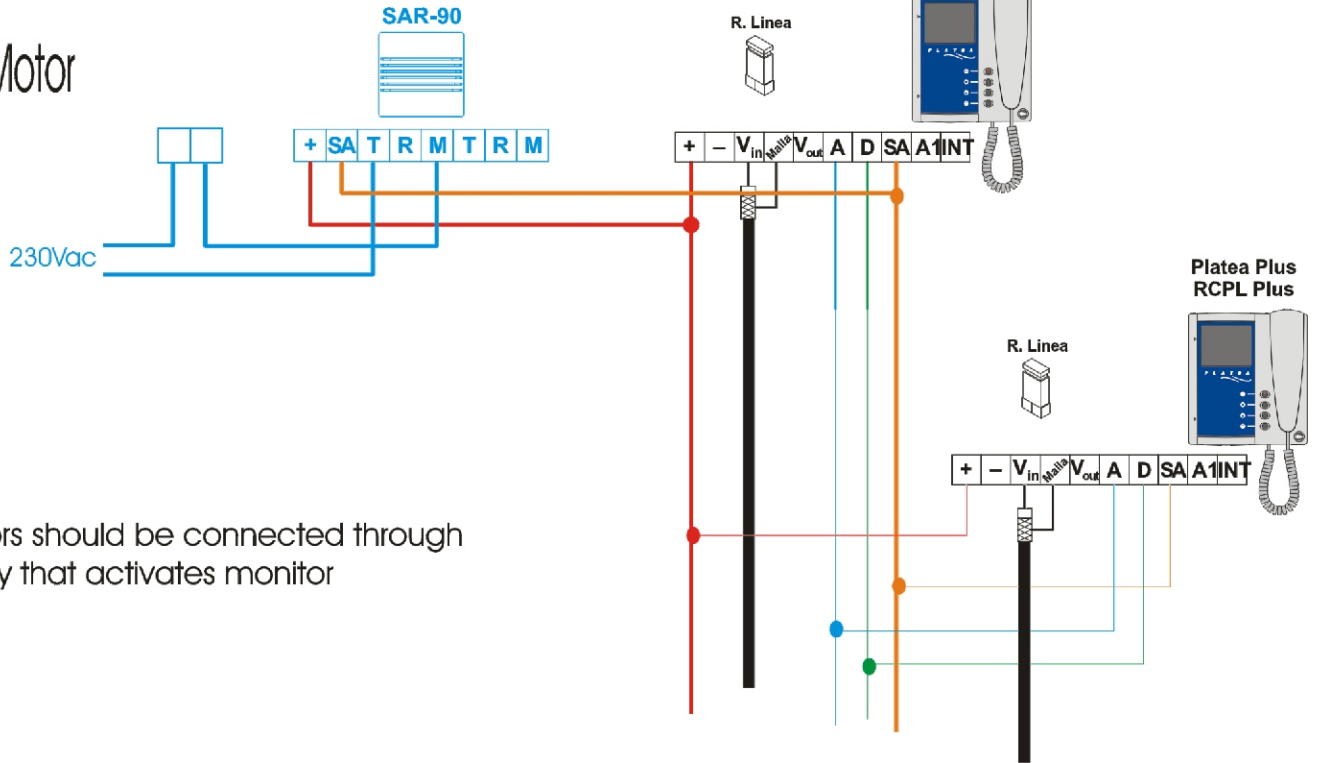


Motor



*All monitors should be connected through SAR to relay that activates monitor